

**SPECIFICATIONS**

**INPUT VOLTAGE RANGE:** FULL SCALE CONTINUOUS  
50% OVERRANGE - 3 Seconds  
(600 Volts Maximum)

**INPUT CURRENT RANGE:** 0-5 or 0-30 AAC  
50% OVERRANGE - 3 Seconds

**LINE FREQUENCY:** 20 to 500 Hz.

**50-60 Hz ACCURACY CLASS:** 0.5% of Full Scale

**WATT-HOUR OUTPUT OPTIONS:** PULSES or REALY CLOSURES

**RESOLUTION:** 0.1 WATT-HOUR

**WATT OUTPUT OPTIONS:** 1, 10, 20 or 4-20 mADC

**OUTPUT RIPPLE:** 1% Peak-to-Peak Maximum

**ISOLATION TEST:** 1 kV - 1 Minute

**TEMPERATURE RANGE:** 0 to +50 Deg. C

**STORAGE TEMPERATURE:** -20 to +80 Deg. C

**POWER:** 120 VAC 50-60 Hz  
(120 VAC, 24, 48, 120 VDC ARE OPTIONAL)

**ENCLOSURE:** DIN RAIL TYPE 46277  
5.95" x 2.9" x 4.4" (With Display)  
3.94" x 2.9" x 4.4" (Without Display)

**Applications and Features**

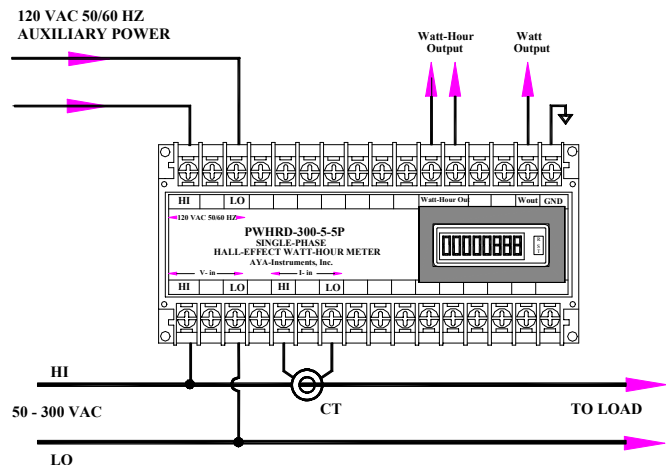
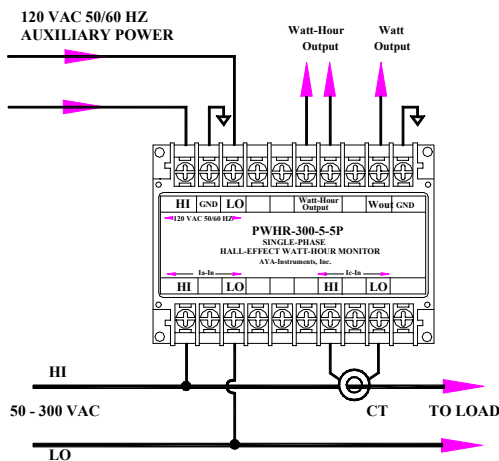
FOR CONTINUOUS MONITORING OF ENERGY  
(POWER CONSUMPTION) IN WATT-HOURS.

OUTPUT RATE IS 18,000 PER HOUR  
(5 Pulses-per-Second)  
OTHER RATE ARE AVAILABLE

OUTPUTS ARE INDEPENDENT OF INPUT  
VOLTAGE AND CURRENT WAVEFORMS.

CAN BE USED WITH EXTERNAL PT's AND CT's.

OPTIONAL TERMINAL COVERS PROVIDE  
PROTECTION FROM ELECTRICAL SHOCK  
AND SHORTING.



**MODEL SELECTION CHART**

VOLTAGE INPUT	CURRENT INPUT	PWHR MODELS (WITHOUT DISPLAY)	PWHRD MODELS (WITH DISPLAY)
150 VAC	5 AAC	PWHR-150-5-5P	PWHRD-150-5-5P
150 VAC	30 AAC	PWHR-150-30-5P	PWHRD-150-30-5P
300 VAC	5 AAC	PWHR-300-5-5P	PWHRD-300-5-5P
300 VAC	30 AAC	PWHR-300-30-5P	PWHRD-300-30-5P
600 VAC	5 AAC	PWHR-600-5-5P	PWHRD-600-5-5P
600 VAC	30 AAC	PWHR-600-30-5P	PWHRD-600-30-5P

Specifications subject to change without notification