

## SPECIFICATIONS

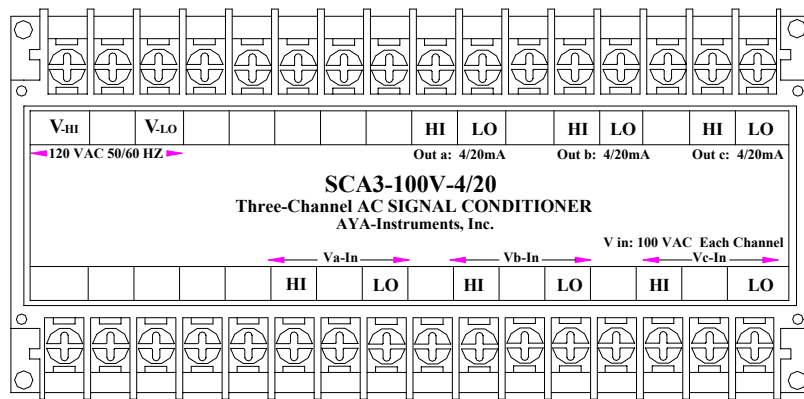
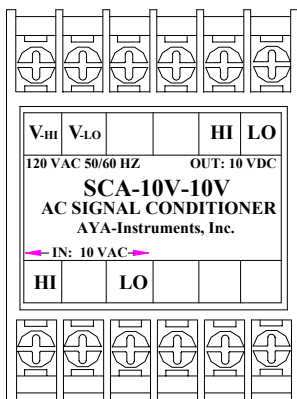
<b>INPUT SIGNAL OPTIONS:</b>	0-1, 0-5, 0- 10, 0-60, 0-100, 0-300, 0-600 Volts AC 0-1, 0-2, 0-5, 0-10, 0-25 AAC 0-5 Volt Pulses (0-5, 15-30, 40-80 PPS)
<b>OUTPUT OPTIONS:</b>	0-1, 0- 5 or 0-10 Volt DC 0-1, 0-10, 0-20, 4-20 mADC 0-5 Volt Pulses
<b>ACCURACY CLASS:</b>	0.5% of Full Scale
<b>OUTPUT RIPPLE:</b>	1% Peak-to-Peak Maximum
<b>ISOLATION TEST:</b>	1 kV - 1 Minute
<b>TEMPERATURE RANGE:</b>	0 to +50 Deg. C
<b>STORAGE TEMPERATURE:</b>	-20 to +80 Deg. C
<b>POWER:</b>	120 VAC 50-60 Hz (120 VAC, 24, 48, 120 VDC OPTIONAL)

## Applications and Features

HALL EFFECT SENSORS ARE INCORPORATED FOR CURRENTS FROM 1 to 25 AMPERES DC.

VOLTAGE-TO-CURRENT OR TO-PULSE  
CURRENT-TO-VOLTAGE OR TO-PULSE  
PULSE-TO-VOLTAGE OR TO-CURRENT  
VOLTAGE-TO-VOLTAGE  
CURRENT-TO-CURRENT  
PULSE-TO-PULSE  
SPECIAL INPUT and OUTPUT RANGES ARE AVAILABLE.

<b>ENCLOSURE TYPE:</b>	DIN RAIL TYPE 46277
<b>Single-Channel:</b>	2.17" x 2.9" x 4.4"
<b>Single-Channel with Relay</b>	2.95" x 2.9" x 4.4"
<b>Triple Channel:</b>	5.95" x 2.9" x 4.4"



\* FOR MODELS WITH RELAY CONTACTS, ADD "R" TO THE MODEL NUMBER

SELECTION CHART							
Single-Channel Models: SCA-				Triple-Channel Models: SCA3-			
INPUT	1 VDC	5 VDC	10 VDC	1 mADC	20 mADC	4-20 mADC	5 PPS
0-1VAC	1V-1V	1V-5V	1V-10V	1V-1M	1V-20M	1V-4/20M	1V-5P*
0-5VAC	5V-1V	5V-5V	5V-10V	5V-1M	5V-20M	5V-4/20M	5V-5P*
0-10VAC	10V-1V	10V-5V	10V-10V	10V-1M	10V-20M	10V-4/20M	10V-5P*
0-60VAC	60V-1V	60V-5V	60V-10V	60V-1M	60V-20M	60V-4/20M	60V-5P*
0-150VAC	150V-1V	150V-5V	150V-10V	150V-1M	150V-20M	150V-4/20M	150V-5P*
0-300VAC	300V-1V	300V-5V	300V-10V	300V-1M	300V-20M	300V-4/20M	300V-5P*
0-600VAC	600V-1V	600V-5V	600V-10V	600V-1M	600V-20M	600V-4/20M	600V-5P*
0-5PPS	5P-1V	5P-5V	5P-10V	5P-1M	5P-20M	5P-4/20M	5P-5P*
15-30PPS	15/30P-1V	15/30P-5V	15/30P-10V	15/30P-1M	15/30P-20M	15/30P-4/20M	15/30P-5P*
40-80PPS	40/80P-1V	40/80P-5V	40/80P-10V	40/80P-1M	40/80P-20M	40/80P-4/20M	40/80P-5P*
45-55 Hz	50F-1V	50F-5V	50F-10V	50F-1M	50F-20M	50F-4/20M	50F-5P*
55-65 Hz	60F-1V	60F-5V	60F-10V	60F-1M	60F-20M	60F-4/20M	60F-5P*
350-450 Hz	400F-1V	400F-5V	400F-10V	400F-1M	400F-20M	400F-4/20M	400F-5P*
0-65 Hz	65F-1V	65F-5V	65F-10V	65F-1M	65F-20M	65F-4/20M	65F-5P*
0-450 Hz	450F-1V	450F-5V	450F-10V	450F-1M	450F-20M	450F-4/20M	450F-5P*
0-1000 Hz	1KF-1V	1KF-5V	1KF-10V	1KF-1M	1KF-20M	1KF-4/20M	1KF-5P*

Specifications subject to change without notification