

On Delay / Interval Timing Modes: The 405AR has two modes of operation On Delay or Interval timing modes. The unit has a set of DPDT output contacts rated for 10 amps resistive. When in the ON-Delay Mode, the contacts transfer at time out. When in the Interval Mode, the contacts transfer when power is applied and release at time out.

Universal Power: All 405 AR timers can be powered using 20 to 240V AC or 12 to 240V DC power, reducing inventory management of replacement units.

1/16 DIN Housing: The 48mm (1/16 DIN) housing is compact and rated for IP 40 on the face plate. The 405AR is mounted in a 8-pin round socket.

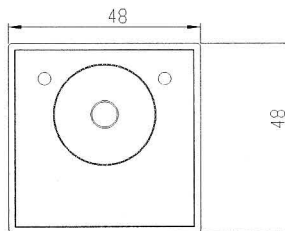
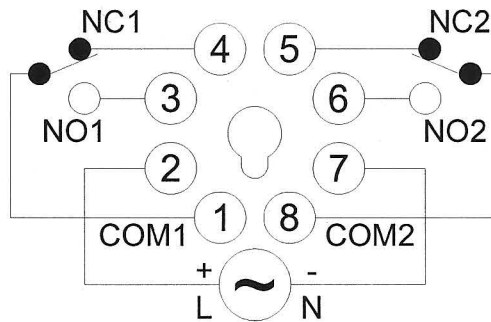
The Dial on the 405AR is extra large and is easy to read. When fractional ranges are selected, decimal points are clearly marked.

The Mode select and Range select switches are located on the front of the unit, so that when panel mounted allows quick change of mode or range of the unit.

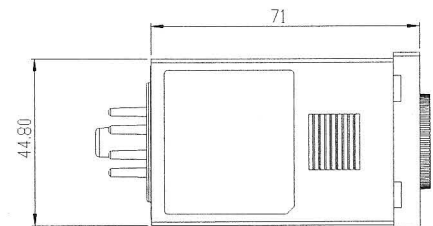
- * ON Delay / Interval
- * 12 Timing Ranges
- * Universal Supply Voltage
- * LED Status: Power ON, Relay ON
- * Compact Size
- * Timing Ranges:
0 to 10 Sec., Min., Or Hours
- * IP 40 Rated Front

Ordering Code:

405AR100F2X



FRONT VIEW



SIDE VIEW