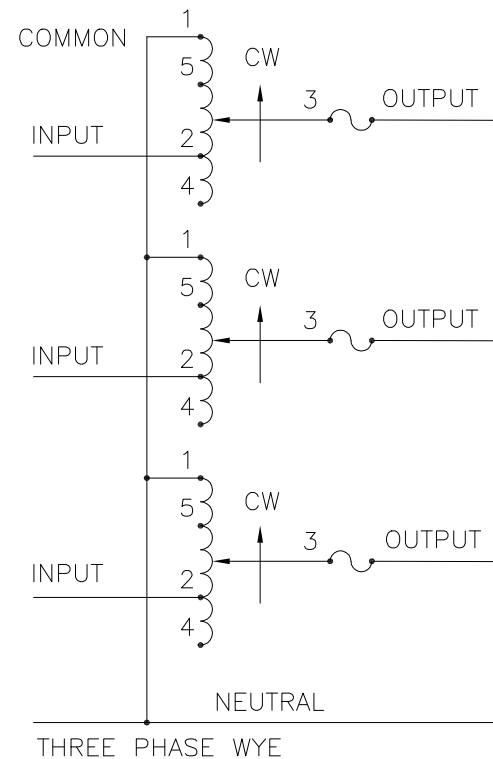
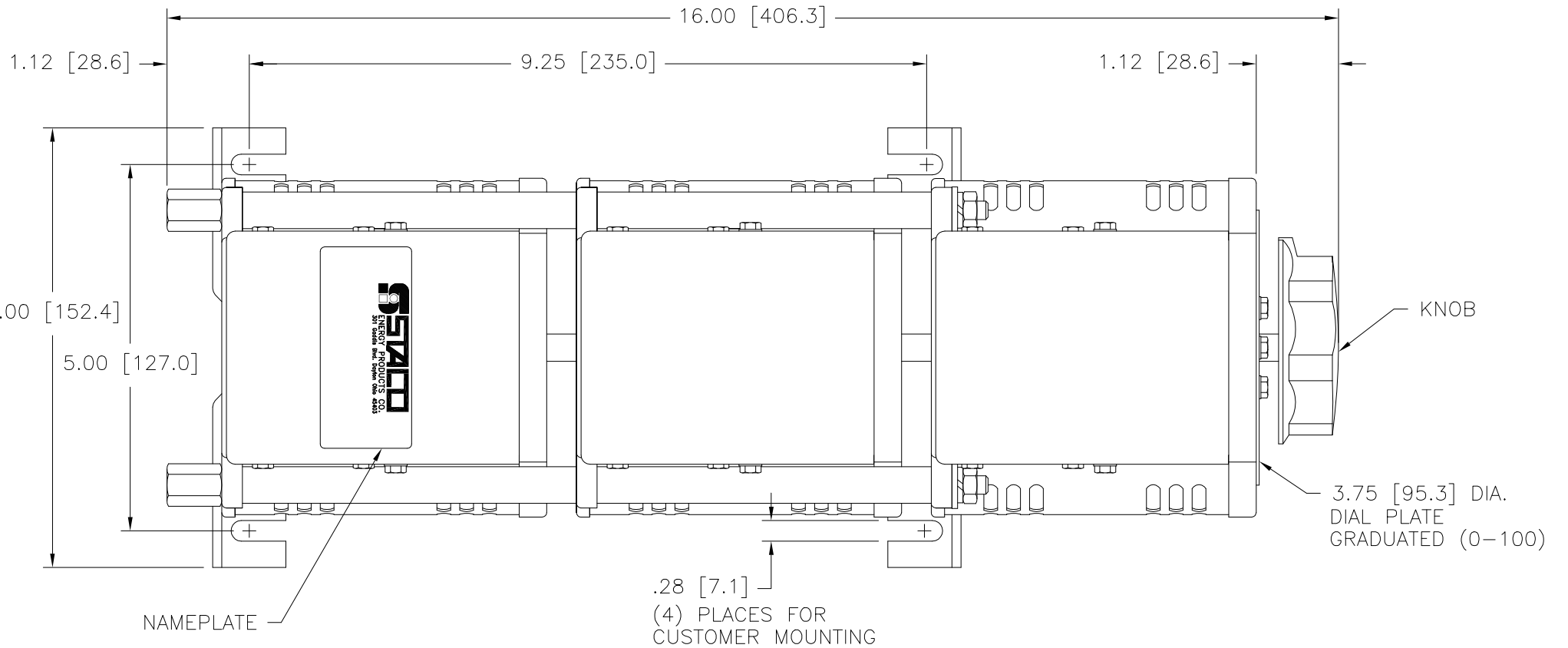


(4) STANDOFFS TAPPED  
1/4-28 X .38 [9.5] DEEP  
FOR MOUNTING BOLTS

.88 [22.2] DIA. KNOCKOUT  
(7) PLACES FOR  
WIRING CONNECTIONS



SCHEMATIC  
FUSE RECOMMENDED BUT NOT SUPPLIED

⌘ IF GANGED UNITS ARE USED IN A SYSTEM THAT ORDINARILY HAS A COMMON NEUTRAL OR GROUND BETWEEN SOURCE AND LOAD, THE NEUTRAL OR GROUND MUST BE CONNECTED TO THE COMMON TERMINALS OF THE VARIABLE TRANSFORMER ASSEMBLY. IF THE SYSTEM HAS NO NEUTRAL, THE LOAD MUST BE BALANCED OR THE TRANSFORMER WILL BE DAMAGED.

■ JUMPER PROVIDED IN STANDARD COMMON POSITION AND SHOULD BE MOVED OR REMOVED AS REQUIRED.

++ LINE TO LINE VOLTAGE.

| SPECIFICATIONS    |       |       |        |                       |          |                         |                                    |  |       |        |        |
|-------------------|-------|-------|--------|-----------------------|----------|-------------------------|------------------------------------|--|-------|--------|--------|
| WIRING            | INPUT |       | OUTPUT |                       |          |                         | SHAFT ROTATION TO INCREASE VOLTAGE | TERMINAL CONNECTIONS                             |       |        |        |
|                   | VOLTS | HERTZ | VOLTS  | CONSTANT CURRENT LOAD |          | CONSTANT IMPEDANCE LOAD |                                    | FOR INCREASING VOLTAGE AS VIEWED FROM BASE END ■ |       |        |        |
|                   |       |       |        | MAX. AMPS             | MAX. KVA | MAX. AMPS               |                                    | MAX. KVA   | INPUT | JUMPER | OUTPUT |
| THREE PHASE WYE ⌘ | 240   | 50/60 | 0-240  | 10                    | 4.16     | 13                      | 5.4                                | CW   | 1-1-1 | 4-4-4  | 3-3-3  |
|                   |       |       |        | CCW                   | 4-4-4    | 1-1-1                   | 3-3-3                              |  |       |        |        |
|                   | ++    | 60    | 0-280  | 10                    | 4.85     | —                       | —                                  | CW   | 5-5-5 | 4-4-4  | 3-3-3  |
|                   |       |       |        | CCW                   | 2-2-2    | 1-1-1                   | 3-3-3                              |  |       |        |        |

UNLESS OTHERWISE SPECIFIED, TOLERANCE IS # DECIMALS .002 .005 .010 .015 .020 .030 .040 .050 .060 .070 .080 .090 .100 .150 .200 .300 .400 .500 .600 .700 .800 .900 1.000 1.500 2.000 3.000 4.000 5.000 6.000 8.000 10.000 15.000 20.000 30.000 40.000 50.000 60.000 80.000 100.000 Holes .002 .005 .010 .015 .020 .030 .040 .050 .060 .070 .080 .090 .100 .150 .200 .300 .400 .500 .600 .700 .800 .900 1.000 1.500 2.000 3.000 4.000 5.000 6.000 8.000 10.000 Angles 1° 1-1/2° DRAFT 1-1/2° UNITS IN [mm] ALL DIMENSIONS APPLY AFTER PLATING

TITLE: SPEC. CONTROL DRAWING VARIABLE TRANSFORMER MODEL: 1010BCT-3  
DRAWN BY: S.A. SMITH DATE: 9/18/97  
CHECKER: DATE: WEIGHT APPROX: 34.5 LBS CODE IDENT. NO. 83008  
ENGINEER: DATE: SCALE: 1=1 SHEET 1 OF 1

STACO ENERGY PRODUCTS CO. A COMPONENTS CORPORATION OF AMERICA COMPANY DAYTON, OHIO U.S.A.  
DRAWN BY: S.A. SMITH DATE: 9/18/97  
CHECKER: DATE: WEIGHT APPROX: 34.5 LBS CODE IDENT. NO. 83008  
ENGINEER: DATE: SCALE: 1=1 SHEET 1 OF 1  
CUSTOMER APPROVAL: DATE: DWG. NO. 031-1676