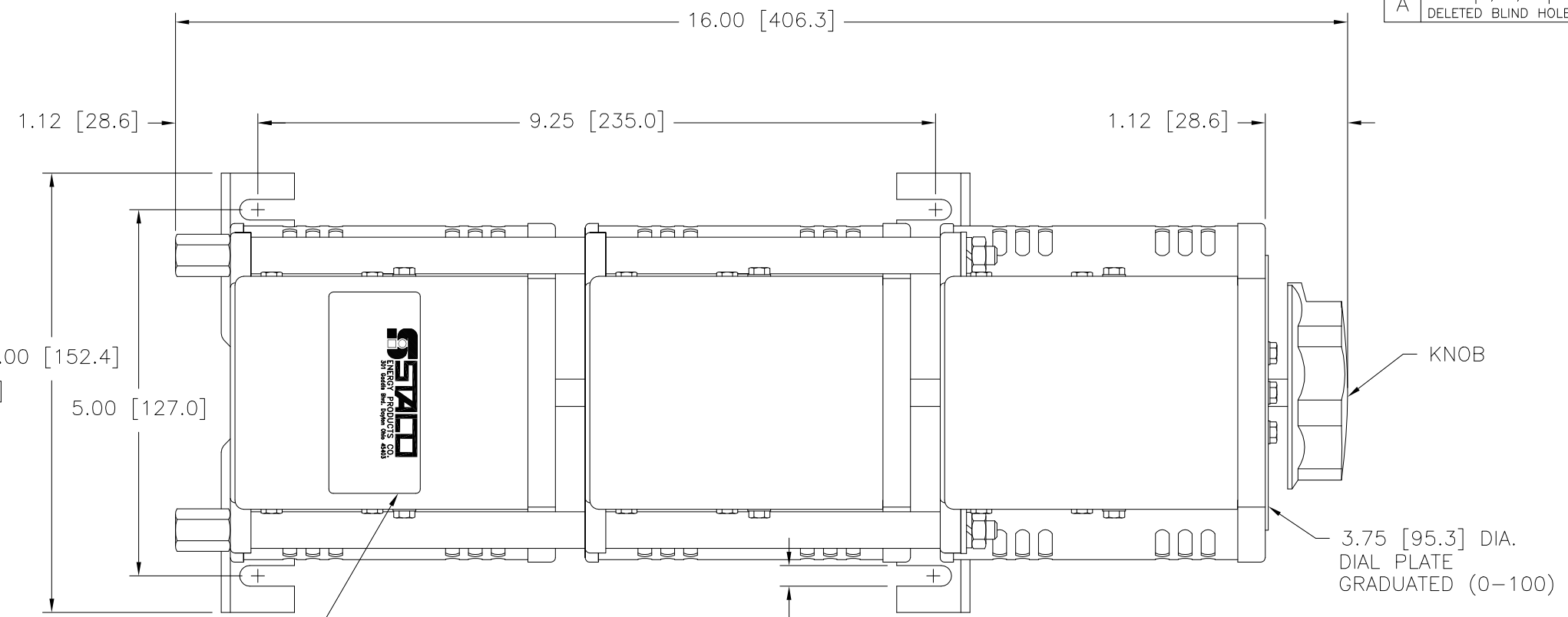


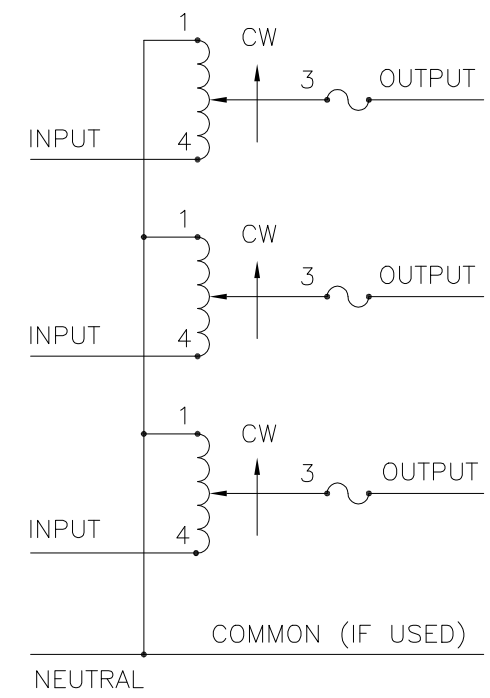
(4) STANDOFFS TAPPED  
1/4-28 X .38 [9.5] DEEP  
FOR MOUNTING BOLTS

.88 [22.2] DIA. KNOCKOUT  
(7) PLACES FOR  
WIRING CONNECTIONS



NAMEPLATE

.28 [7.1]  
(4) PLACES FOR  
CUSTOMER MOUNTING



SCHEMATIC  
FUSE RECOMMENDED BUT NOT SUPPLIED

⌘ IF GANGED UNITS ARE USED IN A SYSTEM THAT ORDINARILY HAS A COMMON NEUTRAL OR GROUND BETWEEN SOURCE AND LOAD, THE NEUTRAL OR GROUND MUST BE CONNECTED TO THE COMMON TERMINALS OF THE VARIABLE TRANSFORMER ASSEMBLY. IF THE SYSTEM HAS NO NEUTRAL, THE LOAD MUST BE BALANCED OR THE TRANSFORMER WILL BE DAMAGED.

■ JUMPER PROVIDED IN STANDARD COMMON POSITION AND SHOULD BE MOVED OR REMOVED AS REQUIRED.

++ LINE TO LINE VOLTAGE.

SPECIFICATIONS											
WIRING	INPUT		OUTPUT				SHAFT ROTATION TO INCREASE VOLTAGE	TERMINAL CONNECTIONS			
	VOLTS	HERTZ	VOLTS	CONSTANT CURRENT LOAD	CONSTANT IMPEDANCE LOAD	FOR INCREASING VOLTAGE AS VIEWED FROM BASE END ■					
				MAX. AMPS	MAX. KVA	MAX. AMPS	MAX. KVA		INPUT	JUMPER	OUTPUT
THREE PHASE WYE ⌘	480	60	0-480	5.0	4.16	7.0	5.82	CW	1-1-1	4-4-4	3-3-3
								CCW	4-4-4	1-1-1	3-3-3

UNLESS OTHERWISE SPECIFIED, TOLERANCE IS #				UNITS		TITLE: SPEC. CONTROL DRAWING					
DECIMALS	Holes	ANGLES	DRAFT	IN	MM	VARIABLE TRANSFORMER					
.XX	.0006	.06	1°	1-1/2°		MODEL: 1220BCT-3					
MATERIAL:				ALL DIMENSIONS APPLY AFTER PLATING		DRAWN BY: S.A. SMITH		DATE: 9/26/97		FIRST USED ON	
The information and design disclosed herein was originated by and is the property of STACO ENERGY PRODUCTS CO., which reserves all patent, proprietary, design, manufacturing, reproduction, use and sale rights thereto, and to any article disclosed therein except to the extent rights are expressly granted to others. The foregoing does not apply to vendor proprietary parts.						CHECKER:		DATE:		WEIGHT APPROX. 34.5 LBS	
						ENGINEER:		DATE:		SCALE 1=1	
										CUSTOMER APPROVAL DATE	
										CODE IDENT. NO. 83008	
										DWG. NO. 031-3328	
										SHEET 1 OF 1	