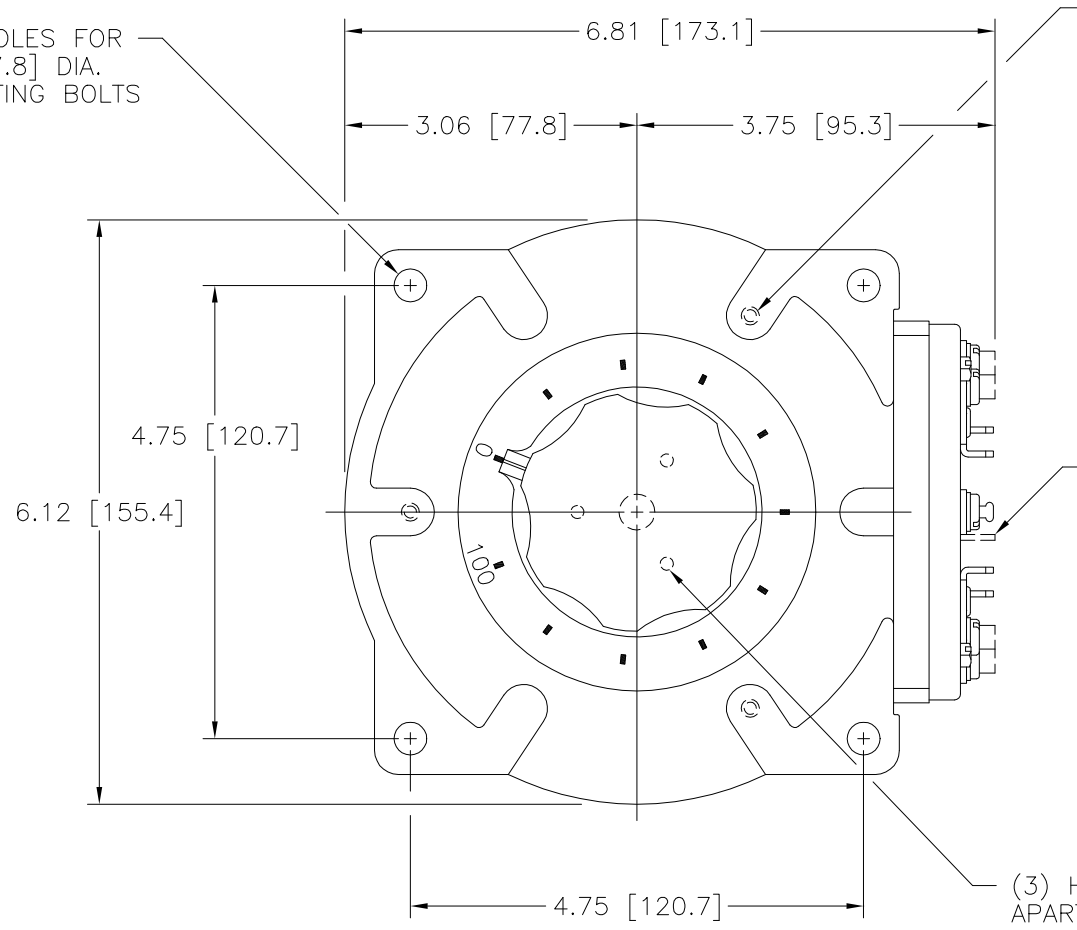


(4) HOLES FOR .31 [7.8] DIA. MOUNTING BOLTS



(3) HOLES 120° APART FOR #10-32 MOUNTING BOLTS

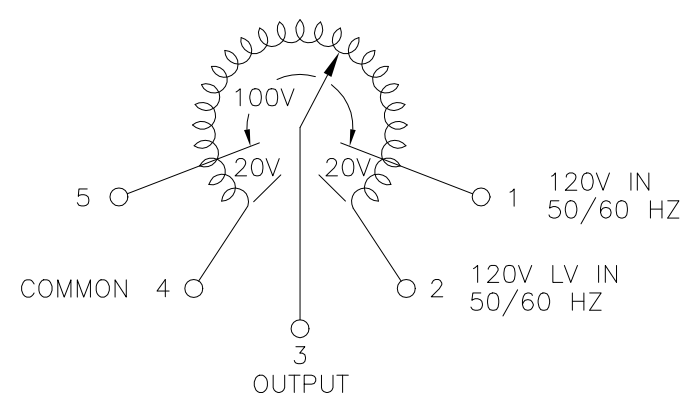
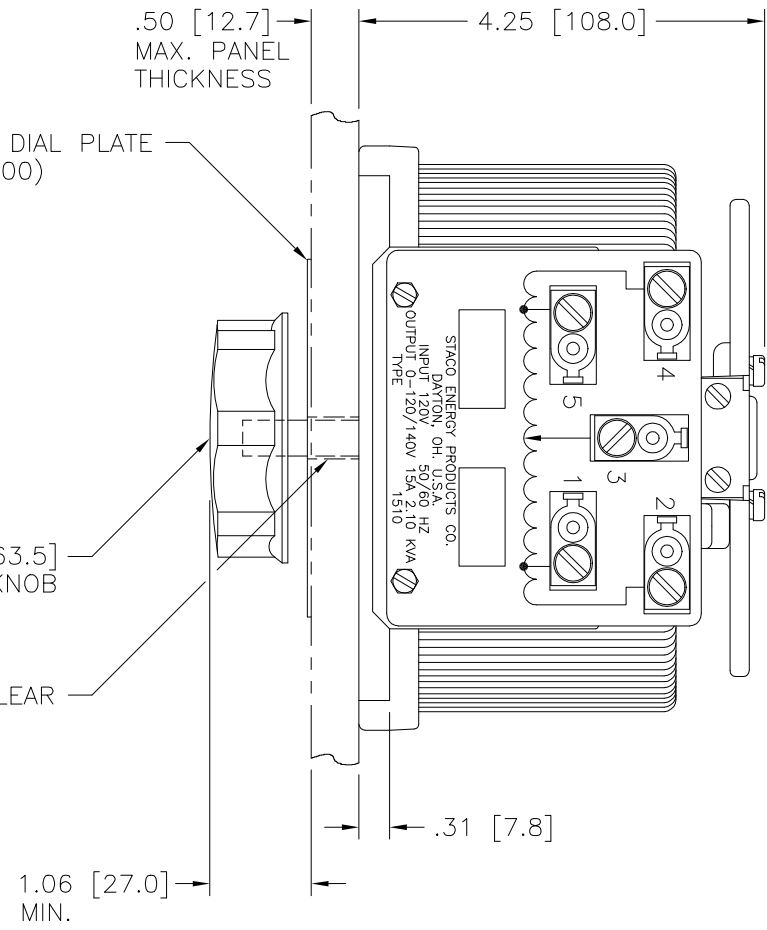
3.75 [95.2] DIA. DIAL PLATE GRADUATED (0-100)

OPTIONAL TERMINALS FOR PUSH ON OR SOLDER CONNECTIONS (.032 X .250) [0.8] X [6.4]

2.50 [63.5] DIA. KNOB

HOLE IN PANEL TO CLEAR .38 [9.6] DIA. SHAFT

(3) HOLES IN PANEL 120° APART ON A 1.25 [31.8] DIA. BOLT CIRCLE FOR #6 DIAL MOUNTING SCREWS



SCHMATIC
VIEW FROM BASE END

SPECIFICATIONS											
WIRING	INPUT		OUTPUT				SHAFT ROTATION TO INCREASE VOLTAGE	TERMINAL CONNECTIONS			
	VOLTS	HERTZ	VOLTS	CONSTANT CURRENT LOAD		CONSTANT IMPEDANCE LOAD		FOR INCREASING VOLTAGE AS VIEWED FROM BASE END			
				MAX. AMPS	MAX. KVA	MAX. AMPS		MAX. KVA	INPUT	JUMPER	OUTPUT
SINGLE PHASE	120	50/60	0-120	15	1.80	20	2.40	CW	2-4	---	4-3
			0-140	15	2.10	---	---	CCW	2-4	---	2-3
								CW	1-4	---	4-3
								CCW	5-2	---	2-3

UNLESS OTHERWISE SPECIFIED, TOLERANCE IS # DECIMALS Holes .06 .002 ANGLES DRAFT 1° 1-1/2° UNITS IN [mm]

MATERIAL: ALL DIMENSIONS APPLY AFTER PLATING

TITLE: SPEC. CONTROL DRAWING VARIABLE TRANSFORMER TYPE: 1510

STACO ENERGY PRODUCTS CO. DAYTON, OHIO U.S.A.

DRAWN BY: K. TOLLIVER DATE: 11/25/91 FIRST USED ON: 1510 DO NOT SCALE DWG. CUSTOMER APPROVAL: DATE:

CHECKER: DATE: WEIGHT APPROX. 15.75 LBS. CODE IDENT. NO. 83008 DWG. NO. 031-3601

ENGINEER: DATE: SCALE 1=1 SHEET 1 OF 1