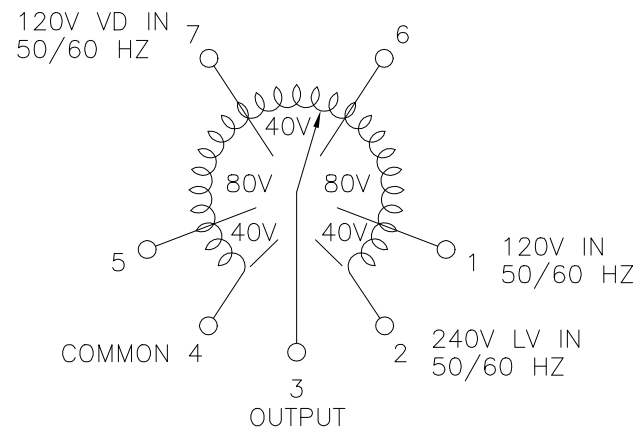
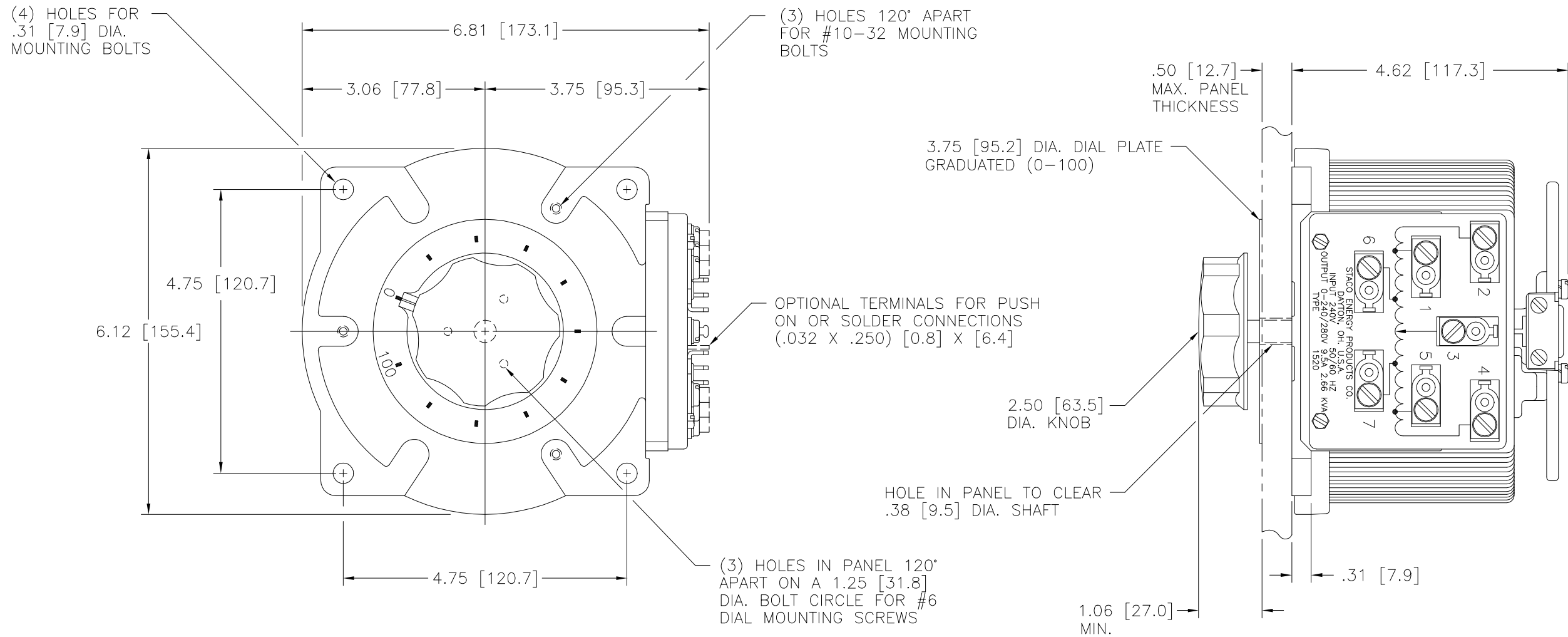


DWG. NO.	031-3901		
REVISIONS			
SYM.	E.C.N.	DATE	APVD.
A	21675	12/03/91	REVISED & REDRAWN, CONVERTED FRACTIONS TO DECIMALS AND MILLIMETERS
B	23899	12/17/98	UPDATED TERM. BOARD



SCHEMATIC  
VIEW FROM BASE END

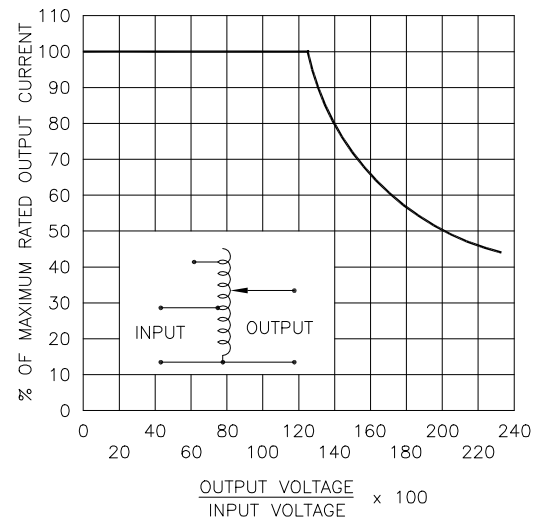


FIGURE A  
MAXIMUM OUTPUT CURRENT OF ANY DUAL INPUT VOLTAGE OR VOLTAGE DOUBLER UNIT OPERATED AT LOWER INPUT VOLTAGE.

§ MAXIMUM KVA AT MAXIMUM OUTPUT VOLTAGE AND CORRESPONDING DERATED OUTPUT CURRENT. MAXIMUM KVA FOR LOWER VOLTAGES MAY BE CALCULATED FROM DERATING CURVE FIGURE A.

# MAXIMUM OUTPUT CURRENT IN OUTPUT VOLTAGE RANGE FROM 0 TO 25% ABOVE LINE VOLTAGE. AT HIGHER OUTPUT VOLTAGES, THE OUTPUT CURRENT MUST BE REDUCED ACCORDING TO THE DERATING CURVE FIGURE A.

WIRING	INPUT		OUTPUT				SHAFT ROTATION FOR VOLTAGE INCREASE	TERMINAL CONNECTIONS (FOR INCREASING VOLTAGE) AS VIEWED FROM BASE END			
	VOLTS	HERTZ	VOLTS	CONSTANT CURRENT LOAD		CONSTANT IMPEDANCE LOAD		INPUT	JUMPERS	OUTPUT	
				MAX AMPS	MAX KVA	MAX AMPS					MAX KVA
SINGLE PHASE	240	50/60	0-240	9.5	2.28	12	2.88	CW	2-4	-	4-3
			0-280	9.5	2.66	-	-	CCW	1-4	-	4-3
	120	50/60	0-280	9.5#	1.14 §	-	-	CW	7-4	-	4-3
								CCW	6-2	-	2-3

UNLESS OTHERWISE SPECIFIED, TOLERANCE IS #		UNITS		TITLE:		DRAWN BY		DATE		FIRST USED ON		DO NOT SCALE DWG.		CUSTOMER APPROVAL		DATE	
DECIMALS	HOLES	ANGLES	DRAFT	IN [mm]		K. TOLLIVER		11/26/91		1520							
.XX	.005	1°	1-1/2*														
MATERIAL:		ALL DIMENSIONS APPLY AFTER PLATING		SPEC. CONTROL DRAWING													
				VARIABLE TRANSFORMER													
				TYPE: 1520													
				19.25 LBS.													
				SCALE		1=1											
				SHEET 1 OF 1													
				DWG. NO.		031-3901											

