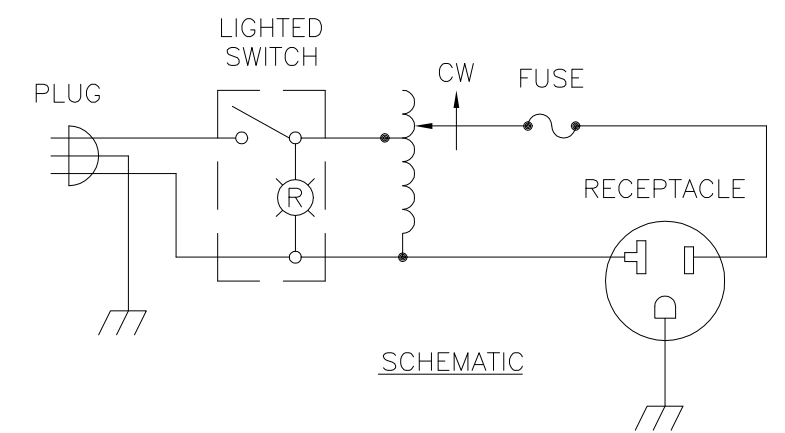


.38 [9.5] SLOT  
 4 PLACES FOR  
 CUSTOMER MTG.



| SPECIFICATIONS |       |       |        |                       |          |
|----------------|-------|-------|--------|-----------------------|----------|
| WIRING         | INPUT |       | OUTPUT |                       |          |
|                | VOLTS | HERTZ | VOLTS  | CONSTANT CURRENT LOAD |          |
| SINGLE PHASE   | 120   | 50/60 | 0-140  | MAX. AMPS             | MAX. KVA |
|                |       |       |        | 22                    | 3.08     |

UNLESS OTHERWISE SPECIFIED, TOLERANCE IS # DECIMALS .XX .XXX .005 HOLES .01 .002 ANGLS 1° DRAFT 1-1/2° UNITS IN [mm]

MATERIAL: ALL DIMENSIONS APPLY AFTER PLATING

THE INFORMATION AND DESIGN DISCLOSED HEREIN WAS ORIGINATED BY AND IS THE PROPERTY OF STACO ENERGY PRODUCTS CO., WHICH RESERVES ALL PATENT, PROPRIETARY, DESIGN, MANUFACTURING, REPRODUCTION, USE AND SALE RIGHTS THEREIN, AND TO ANY ARTICLE DISCLOSED THEREIN EXCEPT TO THE EXTENT RIGHTS ARE EXPRESSLY GRANTED TO OTHERS. THE FOREGOING DOES NOT APPLY TO VENDOR PROPRIETARY PARTS.

TITLE: SPEC. CONTROL DRAWING VARIABLE TRANSFORMER MODEL: 3PN2210B

STACO ENERGY PRODUCTS CO. A COMPONENTS CORPORATION OF AMERICA COMPANY DAYTON, OHIO U.S.A.

|                     |              |                        |                       |                   |      |
|---------------------|--------------|------------------------|-----------------------|-------------------|------|
| DRAWN BY S.A. SMITH | DATE 5/22/96 | FIRST USED ON 3PN2210B | DO NOT SCALE DWG.     | CUSTOMER APPROVAL | DATE |
| CHECKER             | DATE         | WEIGHT APPROX. 24 LBS  | CODE IDENT. NO. 83008 | DWG. NO. 031-5070 |      |
| ENGINEER            | DATE         | SCALE 1=1              | SHEET 1 OF 1          |                   |      |