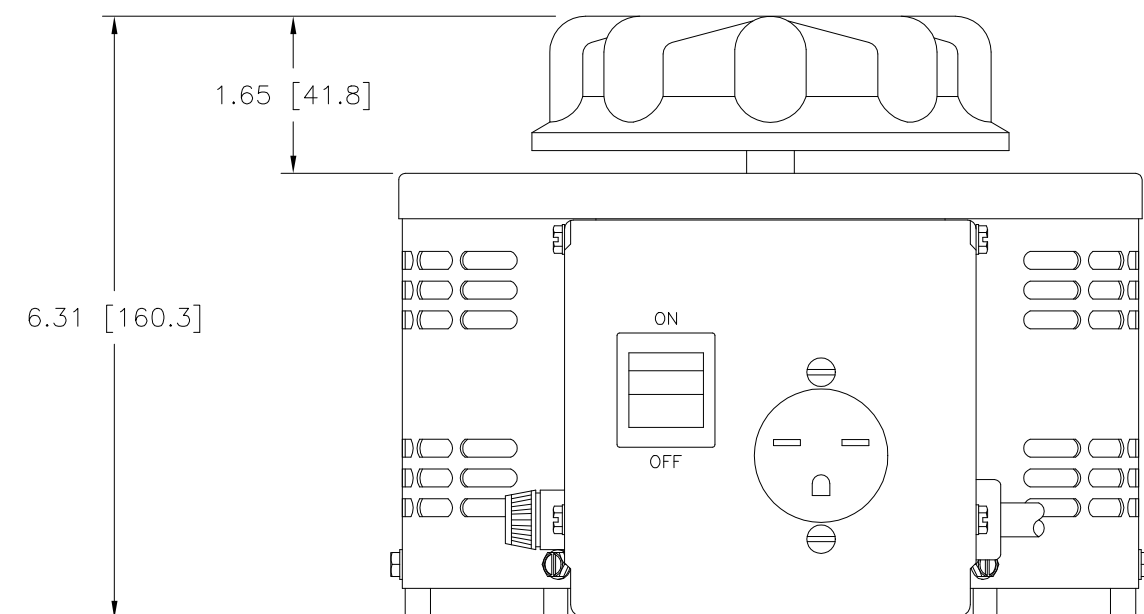
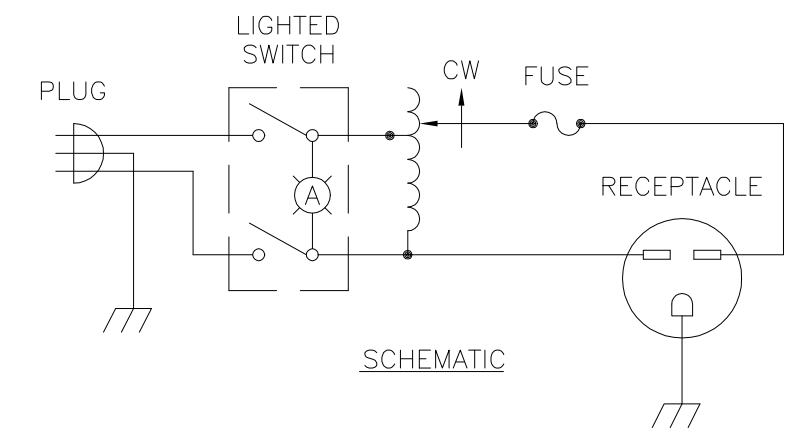


.38 [9.5] SLOT
 4 PLACES FOR
 CUSTOMER MTG.

Optional Digital
 Voltmeter (DVM)



SPECIFICATIONS					
WIRING	INPUT		OUTPUT		
	VOLTS	HERTZ	VOLTS	CONSTANT CURRENT LOAD	
SINGLE PHASE	240	50/60	0-280	MAX. AMPS	MAX. KVA
				10	2.80

UNLESS OTHERWISE SPECIFIED, TOLERANCE IS # DECIMALS .06 HOLES .01 ANGLES 1° DRAFT 1-1/2° UNITS IN [mm]

MATERIAL: ALL DIMENSIONS APPLY AFTER PLATING

THE INFORMATION AND DESIGN DISCLOSED HEREIN WAS ORIGINATED BY AND IS THE PROPERTY OF STACO ENERGY PRODUCTS CO., WHICH RESERVES ALL PATENT, PROPRIETARY, DESIGN, MANUFACTURING, REPRODUCTION, USE AND SALE RIGHTS THEREIN, AND TO ANY ARTICLE DISCLOSED THEREIN EXCEPT TO THE EXTENT RIGHTS ARE EXPRESSLY GRANTED TO OTHERS. THE FOREGOING DOES NOT APPLY TO VENDOR PROPRIETARY PARTS.

TITLE: SPEC. CONTROL DRAWING VARIABLE TRANSFORMER MODEL: 3PN2520B

STACO ENERGY PRODUCTS CO. A COMPONENTS CORPORATION OF AMERICA COMPANY DAYTON, OHIO U.S.A.

DRAWN BY S.A. SMITH	DATE 5/22/96	FIRST USED ON 3PN2520B	DO NOT SCALE DWG.	CUSTOMER APPROVAL	DATE
CHECKER	DATE	WEIGHT APPROX. 24 LBS	CODE IDENT. NO. 83008	DWG. NO. 031-5570	
ENGINEER	DATE	SCALE 1=1	SHEET 1 OF 1		