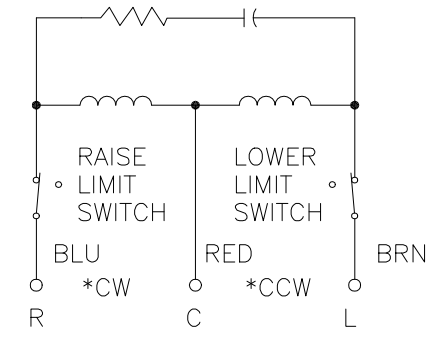
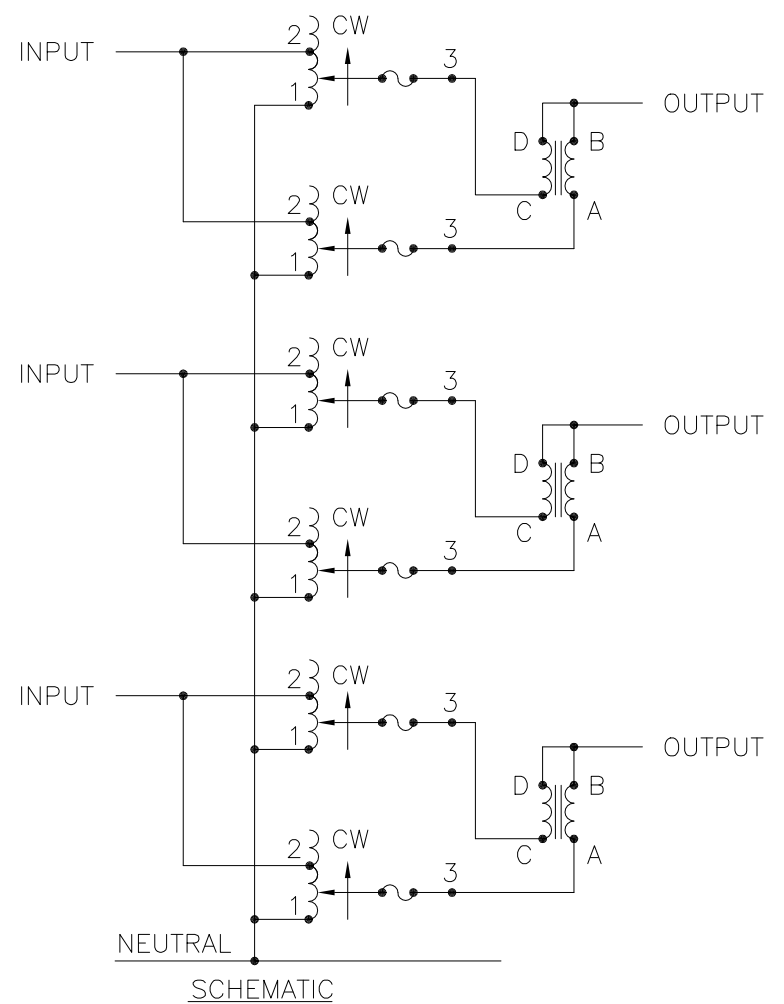
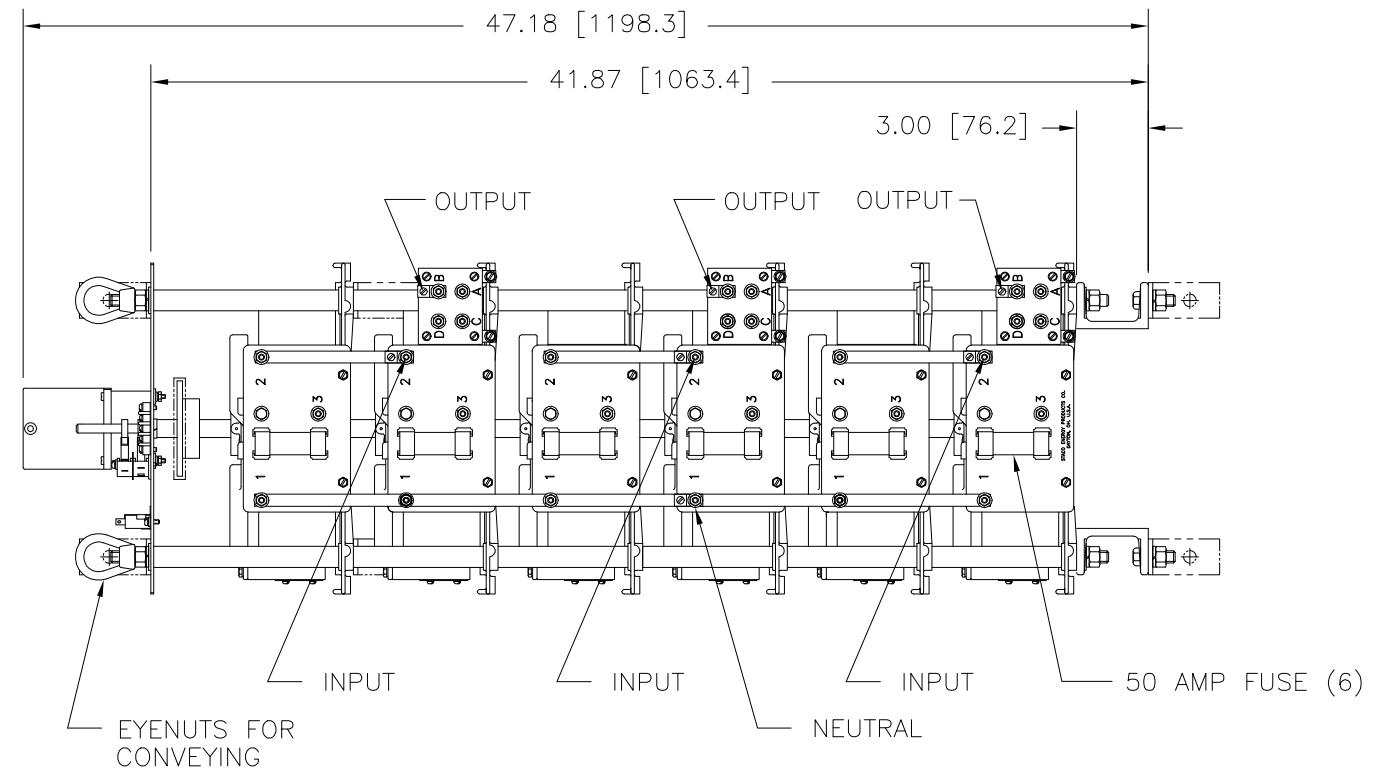
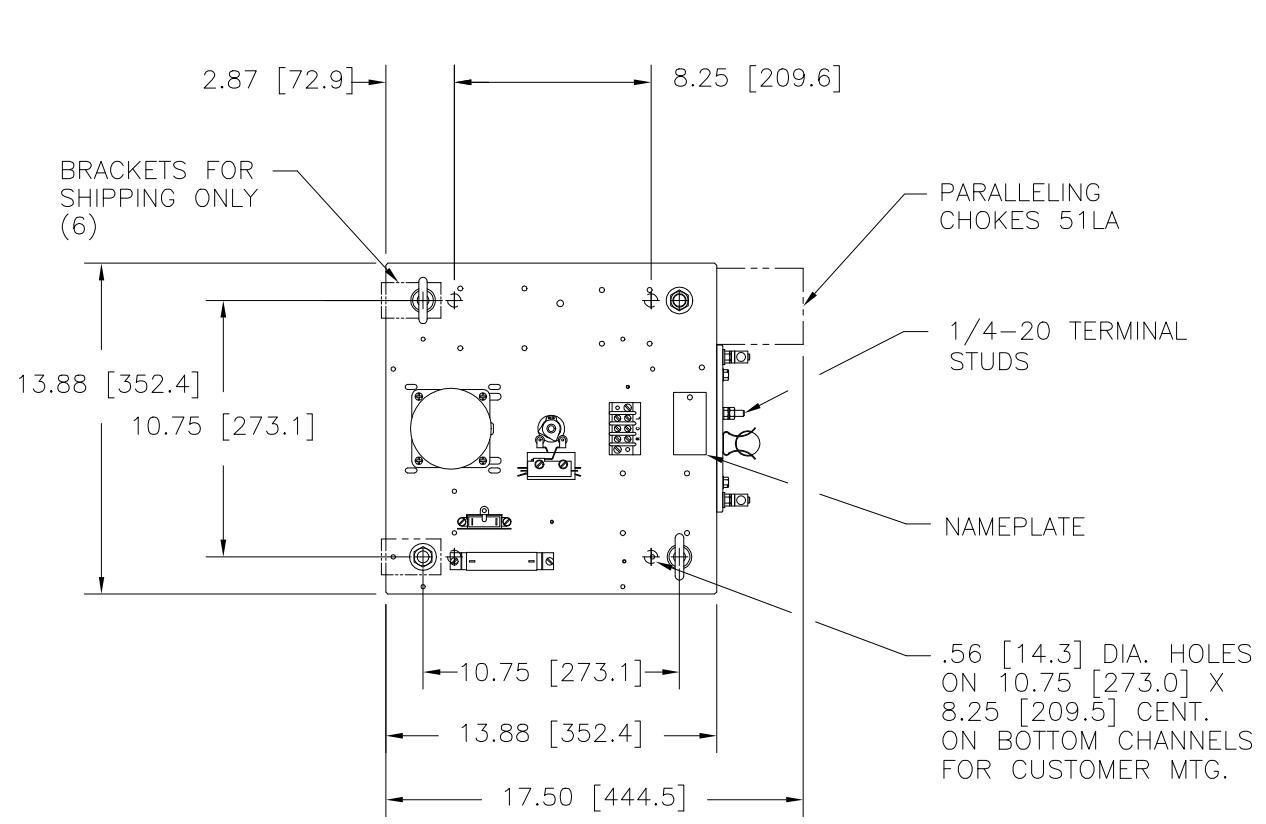


DWG. NO.	031-6954		
REVISIONS			
SYM.	E.C.N.	DATE	APVD.
A	24215	4/18/00	REVISOR
			REVISED & UPDATED
B	24309	8/31/00	REVISOR
			REVISED & UPDATED



MOTOR CIRCUIT
 120V 50/60 HZ
 * ROTATION AS VIEWED FROM MOTOR END
 MOTOR SPEED : SEE CHART

SPEED (SECONDS)	MODEL NUMBER
15	15M5011-6Y
30	30M5011-6Y
60	60M5011-6Y

WIRING	SPECIFICATIONS					SHAFT ROTATION FOR INCREASE VOLTAGE	TERMINAL CONNECTIONS		
	INPUT		OUTPUT				FOR INCREASING VOLTAGE AS VIEWED FROM ROTOR END		
	VOLTS	HERTZ	VOLTS	MAX. AMPS	MAX. KVA		INPUT	JUMPER	OUTPUT
THREE PHASE WYE	240	60	0-280	100	48.5	CW	2-2-2	—	B-B-B

UNLESS OTHERWISE SPECIFIED, TOLERANCE IS # DECIMALS HOLES .12 .002 ANGLES DRAFT 1° 1-1/2° UNITS IN [mm]

MATERIAL: ALL DIMENSIONS APPLY AFTER PLATING

TITLE: SPEC. CONTROL DWG. MOTORIZED VARIABLE XFMR 15 30 & 60M5011-6Y

STACO ENERGY PRODUCTS CO. DAYTON, OHIO U.S.A.

DRAWN BY	DATE	FIRST USED ON	DO NOT SCALE DWG.	CUSTOMER APPROVAL	DATE
TIM RAU	2/13/96				
CHECKER	DATE	WEIGHT APPROX.	CODE IDENT. NO. 83008	DWG. NO.	
ENGINEER	DATE	SCALE .25=1	SHEET 1 OF 1	D	031-6954

The information and design disclosed herein was originated by and is the property of STACO ENERGY PRODUCTS CO., which reserves all patent, proprietary, design, manufacturing, reproduction, use and sale rights thereto, and to any article disclosed therein except to the extent rights are expressly granted to others. The foregoing does not apply to vendor proprietary parts.