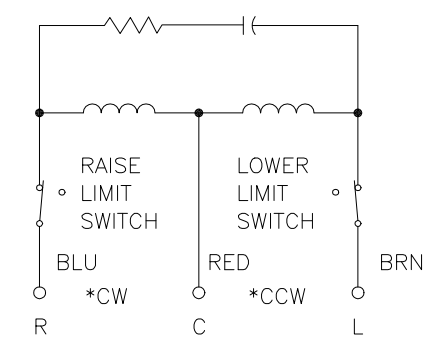


\* MAXIMUM OUTPUT CURRENT IN OUTPUT VOLTAGE RANGE FROM 0 TO 25% ABOVE LINE VOLTAGE. AT HIGHER OUTPUT VOLTAGES, OUTPUT CURRENT MUST BE REDUCED ACCORDING TO RATING CURVE, FIGURE A.  
 ++ MAXIMUM KVA AT MAXIMUM OUTPUT AND CORRESPONDING DE-RATED CURRENT. MAXIMUM KVA AT LOWER OUTPUT VOLTAGES MAY BE CALCULATED FROM RATING CURVE, FIGURE A.  
 V.D. = VOLTAGE DOUBLER.



MOTOR CIRCUIT  
 120V 50/60 HZ  
 \* ROTATION AS VIEWED FROM MOTOR END  
 MOTOR SPEED: SEE CHART

WIRING	INPUT		OUTPUT		SHAFT ROTATION TO INCREASE VOLTAGE	TERMINAL CONNECTIONS		
	VOLTS	HERTZ	VOLTS	CONSTANT CURRENT LOAD		FOR INCREASING VOLTAGE AS VIEWED FROM ROTOR END		
				MAX. AMPS		MAX. KVA	INPUT	OUTPUT
THREE PHASE WYE	480	50/60	0-480	140	116.5	CW	4-4-4	D-D-D
		60	0-560	140	136.0	CW	2-2-2	D-D-D
	240	60	0-560	140-60 V.D.	58.2 ++	CW	5-5-5	D-D-D

UNLESS OTHERWISE SPECIFIED, TOLERANCE IS # DECIMALS .XX .0010-.12 .0020 .03 .1° .1/2° UNITS IN [mm]  
 MATERIAL: ALL DIMENSIONS APPLY AFTER PLATING  
 TITLE: SPEC. CONTROL DRAWING VARIABLE TRANSFORMER TYPE: M5021-15Y  
 STACO ENERGY PRODUCTS CO. A COMPONENTS CORPORATION OF AMERICA COMPANY DAYTON, OHIO U.S.A.  
 DRAWN BY: TIM RAU DATE: 10/22/97 FIRST USED ON: DO NOT SCALE DWG. CUSTOMER APPROVAL: DATE:  
 CHECKER: DATE: WEIGHT APPROX. 1179 LBS. CODE IDENT. NO. 83008 DWG. NO. 031-8569  
 ENGINEER: DATE: SCALE .25=1 SHEET 1 OF 1

SPEED (SECONDS)	MODEL NUMBER
30	30M5021-15Y
60	60M5021-15Y

.56 [14.3] DIA. HOLE FOR CUSTOMER MTG. 6 PLACES