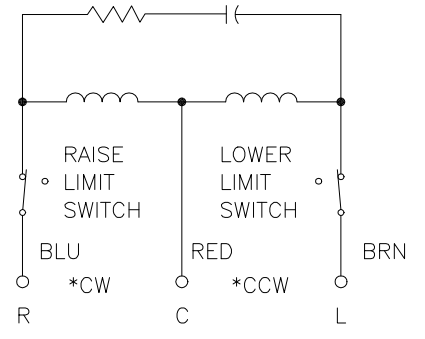


* MAXIMUM OUTPUT CURRENT IN OUTPUT VOLTAGE RANGE FROM 0 TO 25% ABOVE LINE VOLTAGE. AT HIGHER OUTPUT VOLTAGES, OUTPUT CURRENT MUST BE REDUCED ACCORDING TO RATING CURVE, FIGURE A.
 ++ MAXIMUM KVA AT MAXIMUM OUTPUT AND CORRESPONDING DE-RATED CURRENT. MAXIMUM KVA AT LOWER OUTPUT VOLTAGES MAY BE CALCULATED FROM RATING CURVE, FIGURE A.
 V.D. = VOLTAGE DOUBLER.



MOTOR CIRCUIT
 120V 50/60 HZ
 * ROTATION AS VIEWED FROM MOTOR END
 MOTOR SPEED: SEE CHART

WIRING	INPUT		OUTPUT		SHAFT ROTATION TO INCREASE VOLTAGE	TERMINAL CONNECTIONS		
	VOLTS	HERTZ	VOLTS	CONSTANT CURRENT LOAD		FOR INCREASING VOLTAGE AS VIEWED FROM ROTOR END		
				MAX. AMPS		MAX. KVA	INPUT	OUTPUT
THREE PHASE WYE	480	50/60	0-480	175	145.3	CW	4-4-4	D-D-D
		60	0-560	175	169.5	CW	2-2-2	D-D-D
	240	60	0-560	175-75 V.D.	72.7 ++	CW	5-5-5	D-D-D

SPEED (SECONDS)	MODEL NUMBER
30	30M6020-15Y
60	60M6020-15Y

UNLESS OTHERWISE SPECIFIED, TOLERANCE IS * DECIMALS Holes .12 ANGLES DRAFT 1° UNITS IN [mm] TITLE: SPEC. CONTROL DRAWING VARIABLE TRANSFORMER TYPE: M6020-15Y

MATERIAL: ALL DIMENSIONS APPLY AFTER PLATING

STACO ENERGY PRODUCTS CO. A COMPONENTS CORPORATION OF AMERICA COMPANY DAYTON, OHIO U.S.A.

DRAWN BY: TIM RAU DATE: 9/19/97 FIRST USED ON: DO NOT SCALE DWG. CUSTOMER APPROVAL: DATE:

CHECKER: DATE: WEIGHT APPROX. 1269 LBS. CODE IDENT. NO. 83008 DWG. NO. 032-8568

ENGINEER: DATE: SCALE .25=1 SHEET 1 OF 1

The information and design disclosed herein was originated by and is the property of STACO ENERGY PRODUCTS CO., which reserves all patent, proprietary, design, manufacturing, reproduction, use and sale rights thereto, and to any article disclosed therein except to the extent rights are expressly granted to others. The foregoing does not apply to vendor proprietary parts.