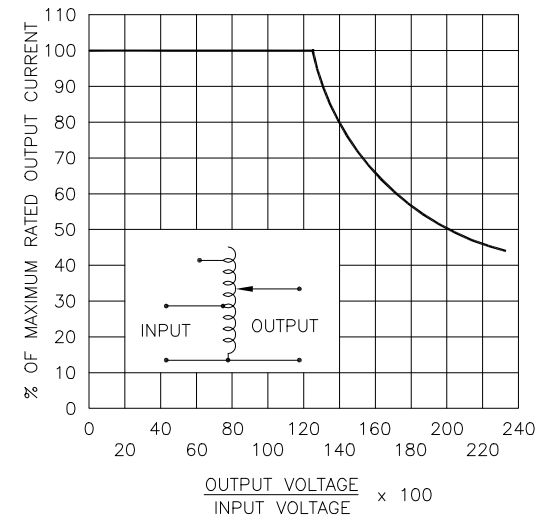
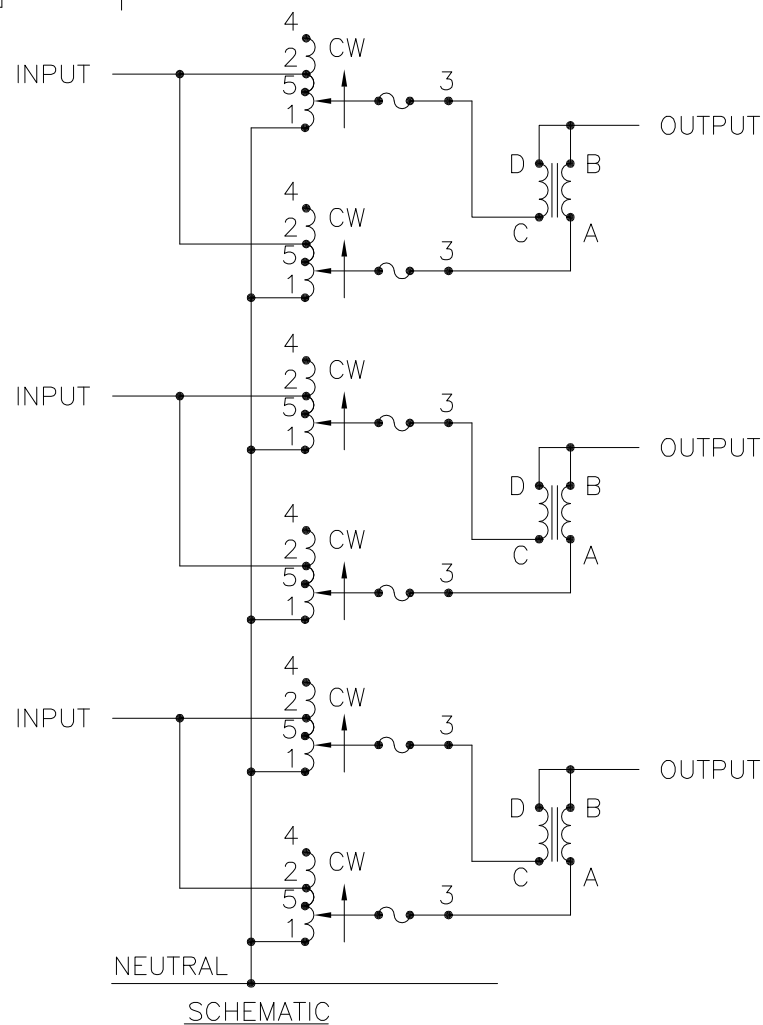
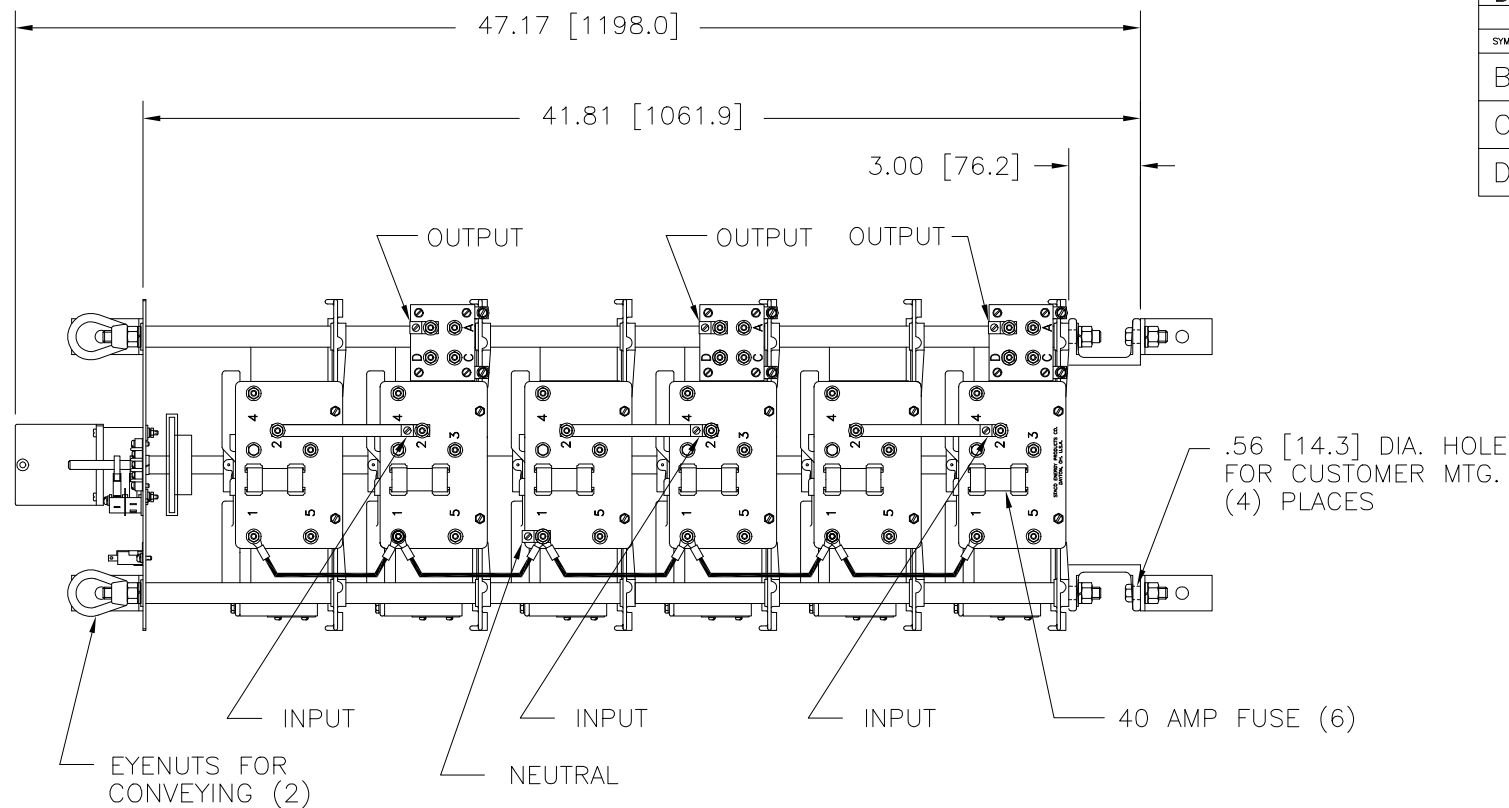
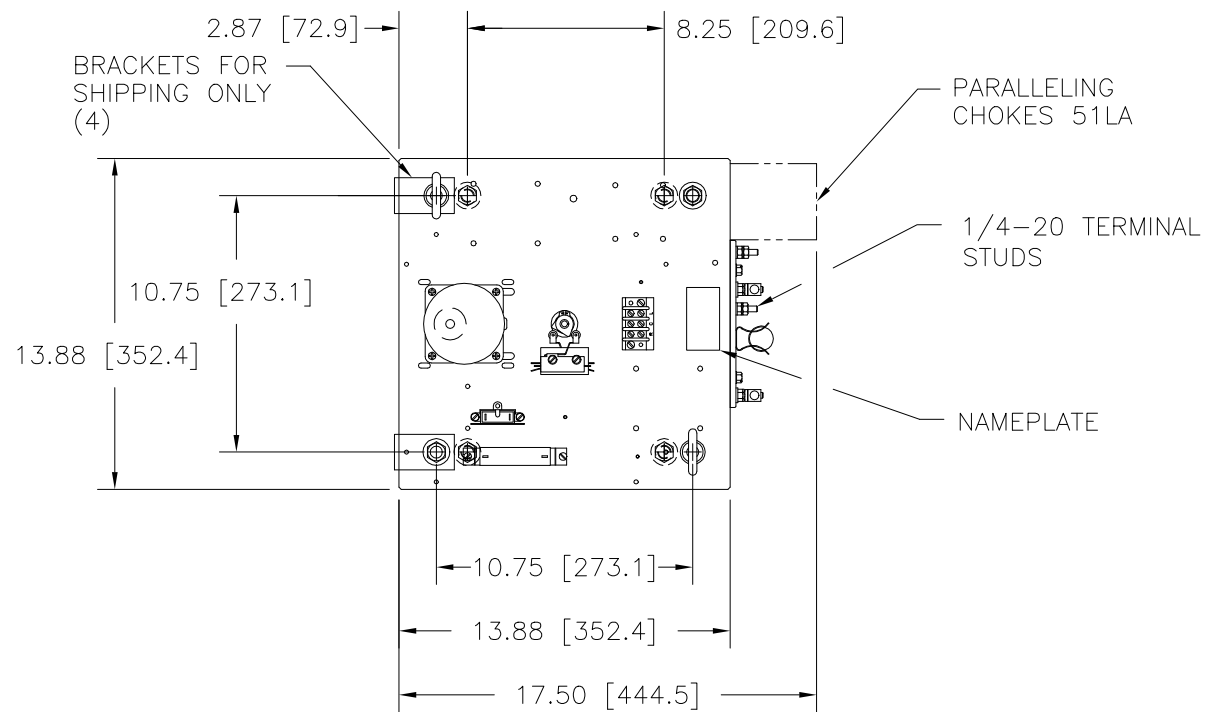
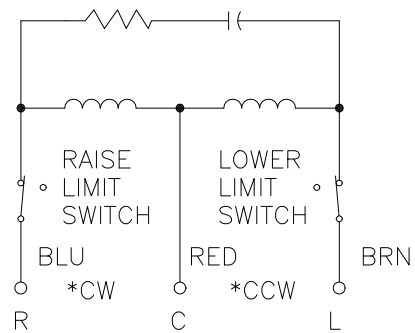


DWG. NO.	032-8363		
REVISIONS			
SYM.	E.C.N.	DATE	APVD.
B	23001	12/7/95	REDRAWN ON CAD
C	23245	11/18/96	REVISED & UPDATED
D	24215	4/18/00	REVISED & UPDATED



**FIGURE A**  
MAXIMUM OUTPUT CURRENT OF ANY DUAL INPUT VOLTAGE OR VOLTAGE DOUBLER UNIT OPERATED AT LOWER INPUT VOLTAGE.

SPEED (SECONDS)	MODEL NUMBER
15	15M6020-6Y
30	30M6020-6Y
60	60M6020-6Y



**MOTOR CIRCUIT**

120V 50/60 HZ

\* ROTATION AS VIEWED FROM MOTOR END

MOTOR SPEED : SEE CHART

WIRING	SPECIFICATIONS					SHAFT ROTATION FOR INCREASE VOLTAGE	TERMINAL CONNECTIONS		
	INPUT		OUTPUT		MAX. KVA		FOR INCREASING VOLTAGE AS VIEWED FROM ROTOR END		
THREE PHASE WYE	VOLTS	HERTZ	VOLTS	MAX. AMPS	MAX. KVA	CW	INPUT	JUMPER	OUTPUT
	480	50/60	0-480	70	58.1		4-4-4	---	B-B-B
	480	60	0-560	70	67.8		2-2-2	---	B-B-B
	240	60	0-560	70 #30 V.D.	29.1 ++	CW	5-5-5	---	B-B-B

UNLESS OTHERWISE SPECIFIED, TOLERANCE IS # DECIMALS HOLES .12 .002 ANGLES 1° DRAFT 1-1/2° UNITS IN [mm] MATERIAL: ALL DIMENSIONS APPLY AFTER PLATING

TITLE: SPEC. CONTROL DRAWING MOTORIZED VARIABLE XFMR M6020-6Y  
 DRAWN BY: TIM RAU DATE: 11/18/96  
 CHECKER: DATE: WEIGHT APPROX. CODE IDENT. NO. 83008  
 ENGINEER: DATE: SCALE .25=1 SHEET 1 OF 1  
 CUSTOMER APPROVAL: DATE: CUSTOMER APPROVAL: DATE: DWG. NO. 032-8363

