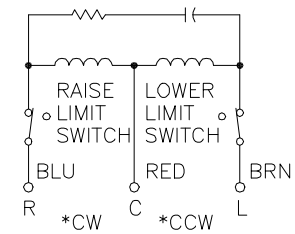


SCHMATIC



MOTOR CIRCUIT
 120V, 50/60 HZ
 * ROTATION AS VIEWED FROM TOP END
 MOTOR SPEEDS: 5, 15, 30, 60 SEC.

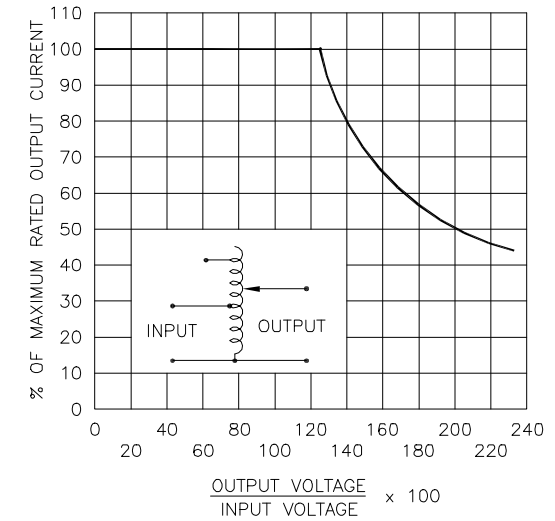


FIGURE A

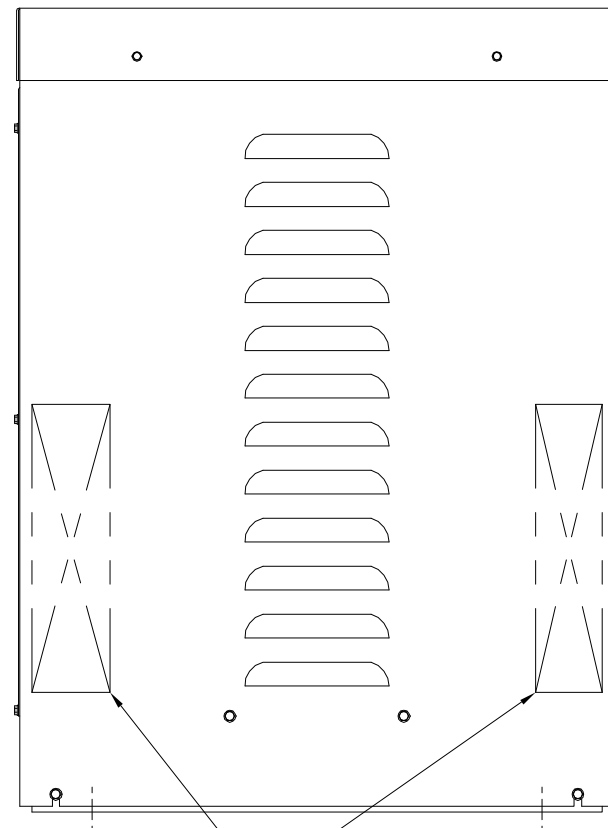
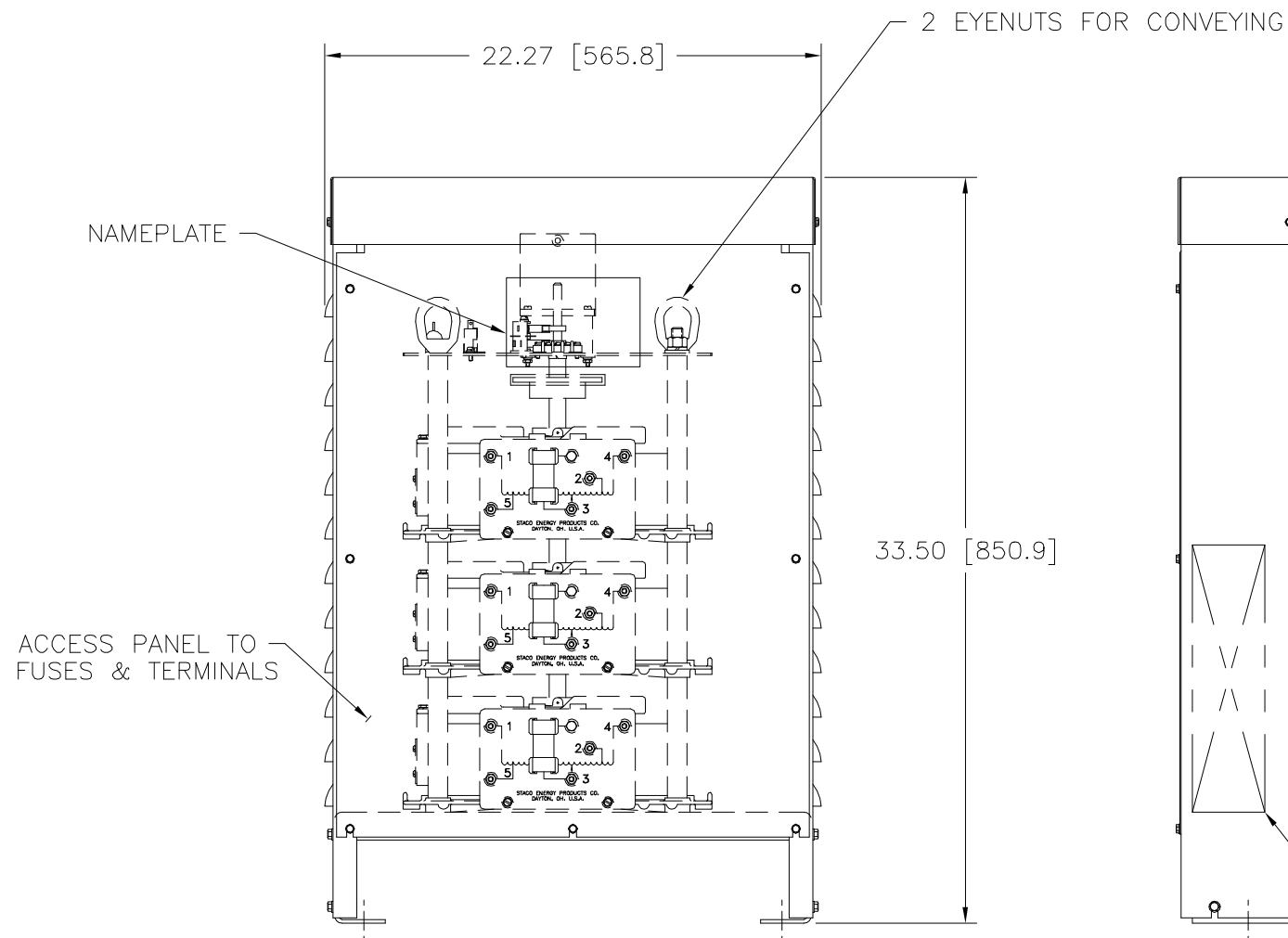
MAXIMUM OUTPUT CURRENT OF ANY DUAL INPUT VOLTAGE OR VOLTAGE DOUBLER UNIT OPERATED AT LOWER INPUT VOLTAGE.

* MAXIMUM OUTPUT CURRENT IN OUTPUT VOLTAGE RANGE FROM 0 TO 25 PERCENT ABOVE LINE VOLTAGE. AT HIGHER OUTPUT VOLTAGES, OUTPUT CURRENT MUST BE REDUCED ACCORDING TO RATING CURVE (SEE FIGURE A).

++ MAXIMUM KVA AT MAXIMUM OUTPUT AND CORRESPONDING DE-RATED CURRENT. MAXIMUM KVA AT LOWER OUTPUT VOLTAGES MAY BE CALCULATED FROM RATING CURVE, (SEE FIGURE A).

V.D. = VOLTAGE DOUBLER.

SPEED (SECONDS)	MODEL NUMBER
5	5M6020E-3Y
15	15M6020E-3Y
30	30M6020E-3Y
60	60M6020E-3Y



RECOMMENDED AREAS FOR CONDUIT ENTRY

SPECIFICATIONS								
WIRING	INPUT		OUTPUT			SHAFT ROTATION FOR VOLTAGE INCREASE	TERMINAL CONNECTIONS FOR INCREASING VOLTAGE AS VIEWED FROM TOP	
	VOLTS	HERTZ	VOLTS	CONSTANT CURRENT LOAD			INPUT	OUTPUT
THREE PHASE WYE	480	50/60	0-480	MAX. AMPS 35	MAX. KVA 29.1	CW	4-4-4	3-3-3
		60	0-560	35	33.9	CW	2-2-2	3-3-3
	240	60	0-560	35-15 V.D.	14.5 ++	CW	5-5-5	3-3-3

UNLESS OTHERWISE SPECIFIED, TOLERANCE IS ±	DECIMALS	Holes	ANGLES	DRAFT	UNITS
.XX	.12	±.03	1°	1-1/2°	IN (mm)
MATERIAL: ALL DIMENSIONS APPLY AFTER PLATING					
TITLE: SPECIFICATION CONTROL DRAWING MOTORIZED VARIABLE TRANSFORMER 5, 15, 30, & 60M6020E-3Y					
DRAWN BY: S.A. SMITH		DATE: 11/14/94	FIRST USED ON: M6020E-3Y	DO NOT SCALE DWG.	CUSTOMER APPROVAL: DATE
CHECKER:		DATE:	WEIGHT APPROX.	CODE IDENT. NO. 83008	DWG. SIZE D
ENGINEER:		DATE:	SCALE .25=1	SHEET 1 OF 1	DWG. NO. 032-8290

